

TOYOTA 5FG/5FD

5.0 – 8 tonne

Engine-powered Forklift Truck



email: [info@forstor.com.ua](mailto:info@forstor.com.ua)

site: [www.forstor.com.ua](http://www.forstor.com.ua)

**TOYOTA**

MATERIAL HANDLING

stronger together



STABILITY AND PERFORMANCE



Toyota introduces a new breed of high-performance trucks for an ever-more demanding market – the engine-powered pneumatic tire 5-8 ton forklift series. This series features a safe and solid design and a stability that inspires reliability and job confidence. A wide range of model sizes lets you choose the best for the job at hand. No matter which you select, all members of this series exemplify the Toyota theory of evolution – solid comfort and steady performance. These forklifts point the way to the future – the ideal trucks to get the job done at your worksite, with efficiency and plenty of comfort.

# PROGRESS WITHOUT COMFORT

The tasks performed by forklifts are grueling – no doubt about it. What's more, the bone-rattling vibration and constant noise of most large forklifts are hard to ignore – just ask any operator. But just because the forklift must stand up to the most punishing tasks, it doesn't mean the operator must take it, too. Toyota thinks of the operator first and foremost. This concern for the forklift operator shows in the Toyota design, offering a stability and solidity of construction that inspires confidence and reliability... and a good deal of comfort besides.

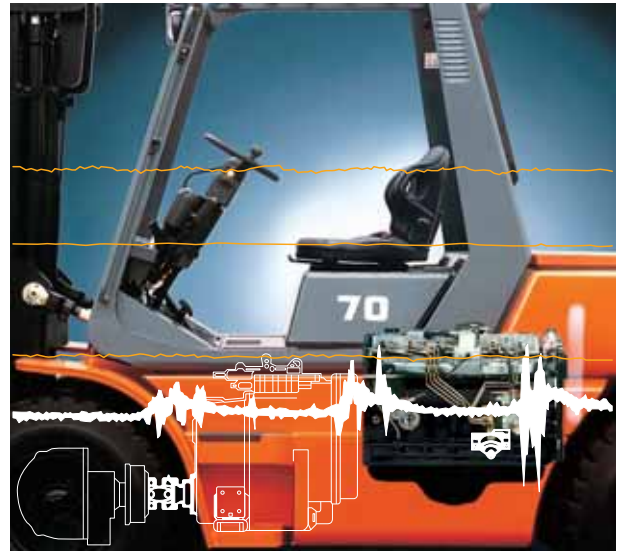
Toyota's state-of-the-art technology has endowed the 5-8 ton series with the newly developed engine. This rugged powerhouse delivers dramatically high efficiency together with outstanding fuel economy, and features minimized vibration and noise for a more comfortable ride – another victory of Toyota's drive to blend the latest technical advances with enduring comfort for the operator.



# COMFORT? NOT AT TOYOTA



## A Full-Floating System for Uncompromising Comfort



The 5-series uses a full-floating system that vastly reduces the amount of engine vibration transmitted to the frame, assuring a ride of unmatched comfort. This promises not only more comfort for the operator, but greater frame durability as well.

At Toyota, advanced technology goes hand in hand with superior comfort. That is the concept of TECHNO-COMFORT – the idea that the benefits of our ongoing technical development are ultimately for the operator.

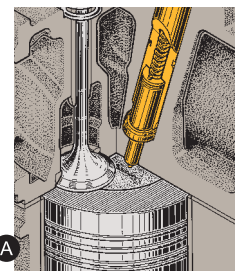
The full thrust of the leading-edge technology harnessed under Toyota's TECHNO-COMFORT concept has come to fruition in the creation of this 5-8 ton forklift series, a crowning achievement in Toyota's drive to wed high performance with unbeatable comfort.

# TOYOTA QUALITY ALWAYS A STEP AHEAD

## PERFORMANCE



**A Engine:** The powerful diesel engine is designed to comply with the emission regulation EN 97/68 stage IIIa. The Toyota gasoline engine 1FZ-E provide reliable power and productivity.



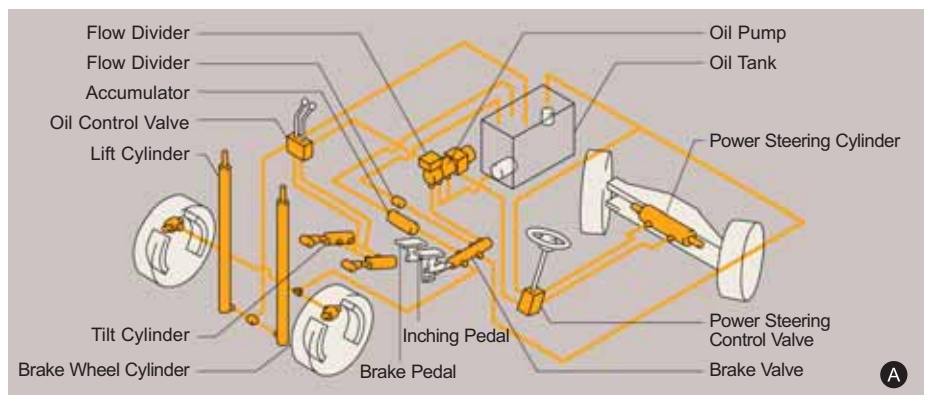
**B Powershift Transmission:** The advanced Self-Moving Hydrodynamic Drive (SMHD) gives smooth yet powerful acceleration response. The SMHD features a single speed in both forward and reverse, helping to reduce work for the operator.

The shift lever can be operated with just the finger tips, boosting handling efficiency while reducing operator fatigue.



## DURABILITY

**A Hydraulic Circuit:** A tandem oil pump equipped with a flow control valve is used. The torque converter powers the pump, and the arrangement of the hydraulic piping helps minimize pressure loss together with preventing excessive rises in the temperature of the hydraulic oil, boosting the lifespan of hydraulic components.

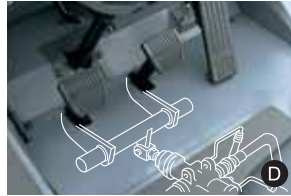


**B Air Intake:** To ensure a supply of clean air for the engine, a snorkel air intake is located on the upper porting of one of the pillars for the operator's headguard. An 8" cyclone air cleaner featuring outstanding air cleaning efficiency is used. A warning

light on the Integrated Monitoring Center tells the operator when the element needs cleaning.

## COMFORT

**A Instruments:** All controls and pedals are laid out for optimized ease of use. The layout of meters and gauges in an integrated combination panel makes it simple to monitor functioning at a glance, and the greater variety of meters used assures a better awareness of vehicle status at all times. A multifunction display available as option blinks and beeps to alert drivers that the truck has exceeded the preset speed.



**B Driving Area:** A comfortable space with plenty of room is ensured for the operator. Combined with the floating power train and body, this makes for an area highly conducive to operations with outstanding accuracy and safety.

**C Steering:** The small-diameter steering wheel and fully hydraulic steering system assure outstanding handling with minimum effort. The active steering synchronisers aligns the position of the steering wheel with the position of the wheels so that the driving knob is always in the same position in relation to the wheels. The aim: a safe and comfortable driving position.

**D Pedals:** Fatigue is minimized through the use of floor-mounted pedals.

**E Seat:** This side-wing and seat-belt equipped Operator Restraint System (ORS) seat wraps the operator in both safety and comfort. It offers step-less adjustment 120 mm (4.7 in.) longitudinally and is complemented by the small-diameter steering wheel on a tiltable column. A suspension seat is optionally available.

## SERVICEABILITY

**A Engine Hood:** The engine hood is completely sealed for maximum comfort, and opens fully to a wide 85°. A hood damper reduces the effort needed to open the hood.

**B Radiator Cover:** A sealed design is used for the radiator cover as well, and easy access is assured by the handy damper, which makes opening and closing the cover a snap.



# MODEL VARIATION



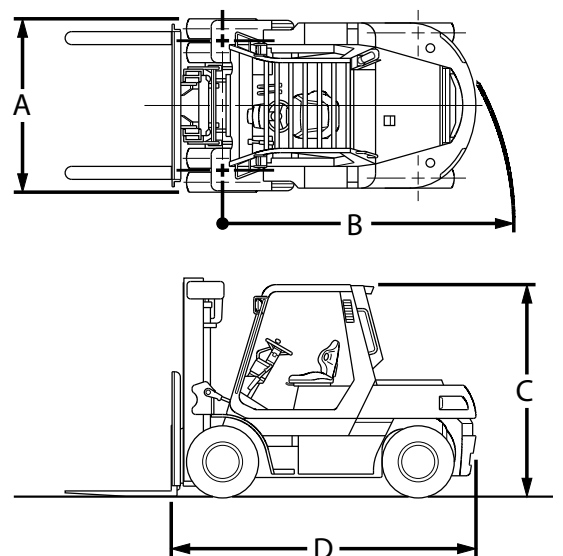
## MAIN SPECIFICATIONS

Model		5FG50	5FG/5FD60	5FG/5FD70	60-5FD80
Engine Model		1FZ-E	1FZ-E/N04C	1FZ-E/N04C	N04C
Load Capacity	kg lb.	5000 11000	6000 13000	7000 15500	8000 18000
Load Center	mm in.	600 24	600 24	600 24	600 24
Overall Width	A mm in.	1995 78.5	1995 78.5	1995 78.5	2160 85
Turning Radius (Outside)	B mm in.	3350 132	3350 132	3400 134	3700 146
Overhead Guard Height	C mm in.	2440 96	2440 96	2440 96	2615 103
Length to Fork face	D mm in.	3460 136	3505 138	3585 141	3930 154.5

## ENGINE SPECIFICATIONS

Model	TOYOTA 1FZ-E Gasoline
Piston Displacement	4476
Max output: (kW/r.p.m.)	63/2350
Max Torque: (Nm/r.p.m.)	294/1200

Model	TOYOTA N04C Diesel
Piston Displacement	4009
Max output: (kW/r.p.m.)	90/2200
Max Torque: (Nm/r.p.m.)	404/1600



Availability and specifications are determined regionally and are subject to change without notice. Please consult your Toyota representative for details. P&B0708TMHUK009



email: [info@forstor.com.ua](mailto:info@forstor.com.ua)  
 site: [www.forstor.com.ua](http://www.forstor.com.ua)



**TOYOTA**  
 MATERIAL HANDLING  
 stronger together