



The VCE125ASF is a part of the Vector high performance combi-truck range. The shuttle fork unit offers maximum handling speed and efficiency in the minimum of space. A rated capacity of 1250 kg and lift heights up to 13.3 m cover most customer needs.



email: info@forstor.com.ua

site: www.forstor.com.ua



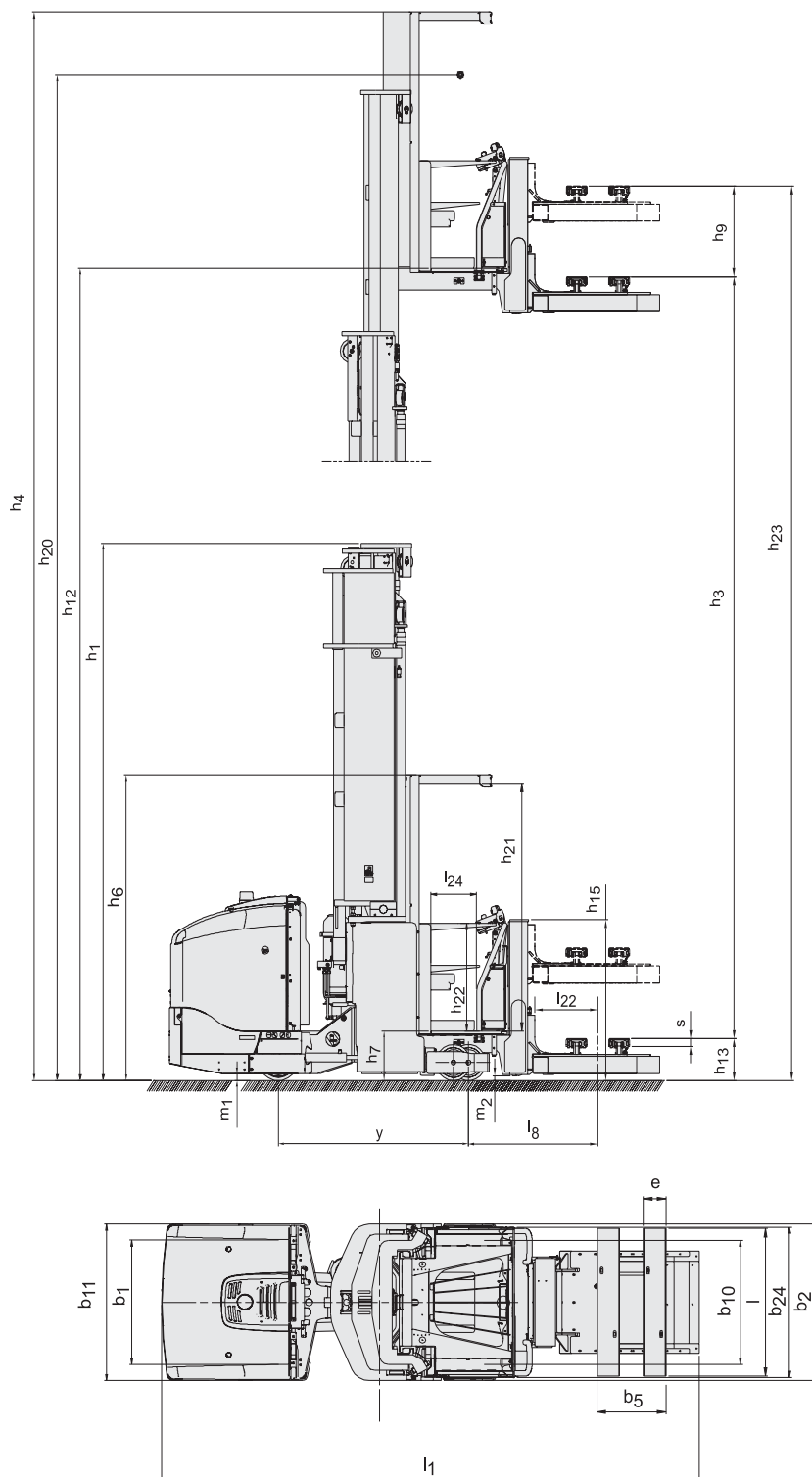
Technical Details	VCE125ASF	
Power unit		electrical, battery
Operating type		stand on/ride on
Rated capacity	kg	1250
Load centre	mm	600
Weight without battery ¹⁾	kg	7600
Wheel type		Vulkollan
Wheel dimension, fork side	mm	Ø 300 x 100
Wheel dimension, drive wheel side	mm	Ø 350 x 128
Number of wheels, fork side		4
Number of wheels, drive wheel side		2
Travel speed, without/with rated load	km/h	12.0/10.0
Service brake		electric
Parking brake		electro-mechanical
Main lifting speed, without/with rated load	m/s	0.45/0.40
Auxiliary lifting speed, without/with rated load	m/s	0.25/0.20
Combined lifting speed, without/with rated load	m/s	0.60/0.70
Main lowering speed, without/with rated load	m/s	0.40/0.40
Auxiliary lowering speed, without/with rated load	m/s	0.30/0.30
Combined lowering speed, without/with rated load	m/s	0.60/0.60
Drive motor rating (S2 60')	kW	2 x 5.5
Lift motor rating (S3 25%)	kW	14.0
Main lift, additional hydro-gas power	kW	7.0
Auxiliary motor rating (S3 20%)	kW	7.6
Battery weight	kg	1790
Battery (5h discharge)	V/Ah	48/1200
Battery (5h discharge)	kWh	57.6
Steering system		electro-hydraulic power steering
Speed control		Variable AC

1) $h_{23} = 9280$ mm

Dimensions, mm	VCE125ASF	
y Wheel base		1655
b ₁₀ Track width fork side c/c		1008/1158/1258
b ₁₁ Track width rear c/c		1010
h ₉ Auxiliary lift movement		750
h ₁₃ Height of lowered fork		350
h ₁₅ Height of auxiliary lift mast		1340
l ₁ Total truck length, without/with load		4267/4067
l ₂ Truck length, rear end to centre of forks		3616
l ₈ Front axle to boom pivot		1127/1327/1427
l ₂₂ Fork carrier back to c/c fork		550/600/650/750
l ₂₄ Entrance width, min./max.		400/620
b ₁ Chassis width, back		1270
b ₂ Chassis width, front		1270/1420/1520
b ₂₄ Cab width		1220-1570
s Fork thickness		65
e Fork width		180
l Fork length		1200-1450
b ₅ Width across fork		550
m ₁ Floor clearance		60
m ₂ Floor clearance under auxiliary mast		40
W _a Turning radius		1698
h ₆ Height of cab		2544
h ₂₁ Height of cab inside		2062
h ₂₂ Height of cab sides		900
h ₇ Instep height		412

Mast, mm		VCE125ASF									
h₁₂	Platform height	4100	4700	5300	6050	7400	8600	9800	11000	11600	12650
h₃	Lift movement	3690	4290	4920	5640	6990	8190	9380	10590	11190	12240
h₂₀	Picking height	5700	6300	6900	7650	9000	10200	11400	12600	13200	14250
Standard Auxiliary											
h₂₃	Total lift height ²⁾	4790	5390	5990	6740	8090	9290	10490	11690	12290	13340
h₁	Height of truck, min.	2790	2960	3160	3460	3960	4460	4960	5460	5660	6040
h₄	Height of truck, max.	6230	6830	7430	8180	9530	10730	11930	13130	13730	14780

2) $h_{23} = h_3 + h_9 + h_{13}$



Performance may vary due to motor and system efficiency tolerance and represents nominal values obtained under typical operating conditions. BT Products AB products and specifications are subject to change without notice. Datas are based on VDI 2198.



- Articulated steering for maximum use of storage space, fast aisle changes and ease of driving.
- Twin drive units and low truck weight gives fast acceleration and quick braking.
- An advanced lift system combines proven regenerative technologies with a unique load balance system.
- A clear-view cab lets the operator easily see the forks, load and racking.
- An Integrated Control Panel gives the operator full fingertip control of the truck.

Truck features	VCE125ASF
BT Advanced lifting system (ALS)	S
Elevating platform	S
Wire/rail guidance	O
Controls and instruments	
Electronic height indicator	S
Power/electronic steering	S
Steering direction indicator	S
Sideshift	O
Camera/monitor system	O
Driving features	
Automatic deceleration	S
Electronic braking system	S
Electronic speed control	S
Safety features	
Automatic parking brake	S
BT Optipace system	S
Clear view mast	S
Electronic support arm brakes	O
Drivers compartment features	
Adjustable seat	S
Adjustable steering wheel	S
Low step-in	S
Writing table	O
Maintenance features	
Fault diagnosis facility	S
History fault log	S
Battery management features	
Battery status indicator	S
Battery discharge prevention system	S
Sideways battery change	S
Special applications	
Coldstore version	O

S = Standard feature

O = Optional feature

— = Not available

ITS, Sweden — 748433-040, 0604



email: info@forstor.com.ua

site: www.forstor.com.ua

