

# Reach truck 1.4 - 2.5 ton

## BT reflex



email: [info@forstor.com.ua](mailto:info@forstor.com.ua)  
site: [www.forstor.com.ua](http://www.forstor.com.ua)

**TOYOTA**

MATERIAL HANDLING

stronger together

# Reach truck

Truck specifications					RRE140,E/C	RRE160,E/C	RRE180,E/C	RRE200,E/C	RRE250,E/C	
Identification	1.1	Manufacturer			BT	BT	BT	BT	BT	
	1.2	Model			RRE140,E/C	RRE160,E/C	RRE180,E/C	RRE200,E/C	RRE250,E/C	
	1.3	Drive			Electric	Electric	Electric	Electric	Electric	
	1.4	Operator type			Seated	Seated	Seated	Seated	Seated	
	1.5	Load capacity/rated load	Q	kg	1400	1600	1800	2000	2500	
	1.6	Load centre	c	mm	600	600	600	600	600	
	1.8	Load distance, centre of support arm wheel to face of forks	x	mm	305*	345*	401*	441*	335*	
	1.9	Wheelbase	y	mm	1295	1335	1475	1515	1575	
	Weight	2.1	Service weight including battery		kg	3369	3370	3863	4046	4805
2.3		Axle load, mast retracted without load, drive/support arm wheel		kg	2040/1329	2073/1297	2424/1439	2546/1499	2858/1947	
2.4		Axle load, mast extended with load, drive/support arm wheel		kg	672/4097	586/4385	845/4819	863/5183	589/6446	
2.5		Axle load, mast retracted with load, drive/support arm wheel		kg	1701/3068	1745/3225	2165/3498	2318/3727	2454/4851	
Wheels		3.1	Drive/support arm wheel			Vulkollan	Vulkollan	Vulkollan	Vulkollan	Vulkollan
	3.2	Wheel size, front			350	350	400	400	400	
	3.3	Wheel size, rear			300	300*	350	350	350	
	3.5	Wheels, number front/rear (x=driven wheels)			1x/2	1x/2	1x/2	1x/2	1x/2	
	3.7	Track width, rear	b <sub>11</sub>	mm	1134	1134	1134	1134	1134	
	Dimensions	4.1	Tilt of fork, forward/backward	$\alpha/\beta$	deg	4°/-2°**	4°/-2°**	4°/-2°**	4°/-2°**	4°/-2°**
		4.2	Height, mast lowered	h <sub>1</sub>	mm	2690*	2732*	2732*	2732*	2771*
4.3		Free lift	h <sub>2</sub>	mm	2049*	2091*	2091*	2091*	2191*	
4.4		Lift	h <sub>3</sub>	mm	6260*	6260*	6260*	6260*	6255*	
		Lift height	h <sub>23</sub>	mm	6300*	6300*	6300*	6300*	6300*	
4.5		Height, mast extended	h <sub>4</sub>	mm	6940*	6940*	6940*	6940*	6881*	
4.7		Height of overhead guard (cab)	h <sub>6</sub>	mm	2198	2198	2260	2260	2260	
4.8		Seat height	h <sub>7</sub>	mm	1131	1131	1193	1193	1193	
4.10		Height of support arms	h <sub>8</sub>	mm	268	268	330	330	330	
4.15		Height of lowered forks	h <sub>13</sub>	mm	40	40	40	40	45	
4.19		Overall length	l <sub>1</sub>	mm	2362	2365	2446	2446	2607	
4.20		Length to face of forks	l <sub>2</sub>	mm	1252	1252	1336	1336	1502	
4.21		Overall width	b <sub>1</sub>	mm	1270	1270	1270	1270	1270	
4.22		Fork dimensions	s/e/l	mm	40/100/1150*	40/100/1150*	40/120/1150*	40/120/1150*	45/125/1150*	
4.23		Fork carriage ISO 2328, class/type A, B			II A	II A	II A	II A	II A	
4.25		Width over forks	b <sub>5</sub>	mm	250-738	250-738	250-738	250-738	250-738	
4.26		Distance between support arms	b <sub>4</sub>	mm	900*	900*	900*	900*	900*	
4.28		Reach distance	l <sub>4</sub>	mm	434*	474*	614*	670*	571*	
4.31		Ground clearance, with load, below mast	m <sub>1</sub>	mm	68	68	68	68	88	
4.32		Ground clearance, centre of wheelbase <sup>1)</sup>	m <sub>2</sub>	mm	74	74	77	77	77	
4.33		Aisle width for pallets 1000 x 1200 crossways	A <sub>st</sub>	mm	2675	2685	2785	2797	2933	
4.34	Aisle width for pallets 800 x 1200 lengthways	A <sub>st</sub>	mm	2737	2741	2831	2835	2990		
4.35	Turning radius	W <sub>a</sub>	mm	1557	1597	1737	1777	1837		
4.37	Length across support arms	l <sub>7</sub>	mm	1728	1768	1933	1973	2033		
Performance data	5.1	Travel speed, with/without load		km/h	11/11	10/11	11/11	11/11	11/11	
		Travel speed, High speed version, with/without load		km/h	14/14	14/14	14/14	14/14	14/14	
	5.2	Lift speed, with/without load		m/s	0,35/0,70	0,35/0,70	0,35/0,70	0,35/0,70	0,35/0,70	
	5.3	Lowering speed, with/without load		m/s	0,55/0,55	0,55/0,55	0,55/0,55	0,55/0,55	0,55/0,55	
	5.4	Reach speed, with/without load		m/s	0,25/0,25	0,25/0,25	0,25/0,25	0,25/0,25	0,25/0,25	
	5.8	Max. gradeability, with/without load <sup>2)</sup>		%	10/15	10/15	10/15	10/15	7/12	
5.10	Service brake			Electric	Electric	Electric	Electric	Electric		
Electric motor	6.1	Drive motor rating S2 60 min		kW	7,5	7,5	9,0	9,0	9,0	
	6.2	Lift motor rating S3 15%		kW	11	11	15	15	15	
	6.4	Battery voltage, nominal capacity K <sub>5</sub>		V/Ah	48/465*	48/465*	48/620*	48/620*	48/775*	
	6.5	Battery weight		kg	725*	725*	940*	940*	1150*	
	6.6	Energy consumption acc to VDI cycle <sup>3)</sup>		kWh/h						
	Other	8.1	Type of drive control			Variable AC	Variable AC	Variable AC	Variable AC	Variable AC
8.4		Sound level at the driver's ear according to EN 12 053		dB(A)	66	66	66	66	66	

1) 15 mm under studs

2) Measured according to company standard

3) Contact your supplier for information

\*) Other alternatives are available

All data are based on table configuration. Other configurations may give other values. Truck performance and dimensions are nominal and subject to tolerances. BT products and specifications are subject to change without notice.

# Battery compartment

# BT reflex

Dimensions				RRE140,E/C		RRE160,E/C			RRE180,E/C		RRE200,E/C			RRE250,E/C	
Reflex	Depth		mm	275	347	275	347	419	347	419	347	419	491	419	491
	4.20 Length to face of forks ***	$l_2$	mm	1252	1324	1252	1324	1396	1336	1408	1336	1408	1480	1502	1574
	4.33 Aisle width for pallets 1000x1200 crossways ***	$A_{st}$	mm	2675	2731	2685	2740	2796	2785	2837	2797	2848	2901	2933	2987
	4.34 Aisle width for pallets 800x1200 lengthways ***	$A_{st}$	mm	2737	2803	2741	2807	2873	2831	2895	2835	2899	2965	2990	3056
	6.4 Battery voltage, nominal capacity $K_5$		V/Ah	48/465	48/620	48/465	48/620	48/775	48/620	48/775	48/620	48/775	48/930	48/775	48/930
	6.5 Battery weight, min.—max.		kg	685-825	875-1030	685-825	875-1030	875-1235*	875-1235*	875-1030	1055-1235	1055-1235	1055-1440**	1055-1440**	1055-1440**
1.8 Load distance, centre of support arm wheel to face of forks	x	mm	305	233	345	273	201	401	329	441	369	297	335	263	

\* = Lh 10000 and 10500 mm: 1060-1235 kg

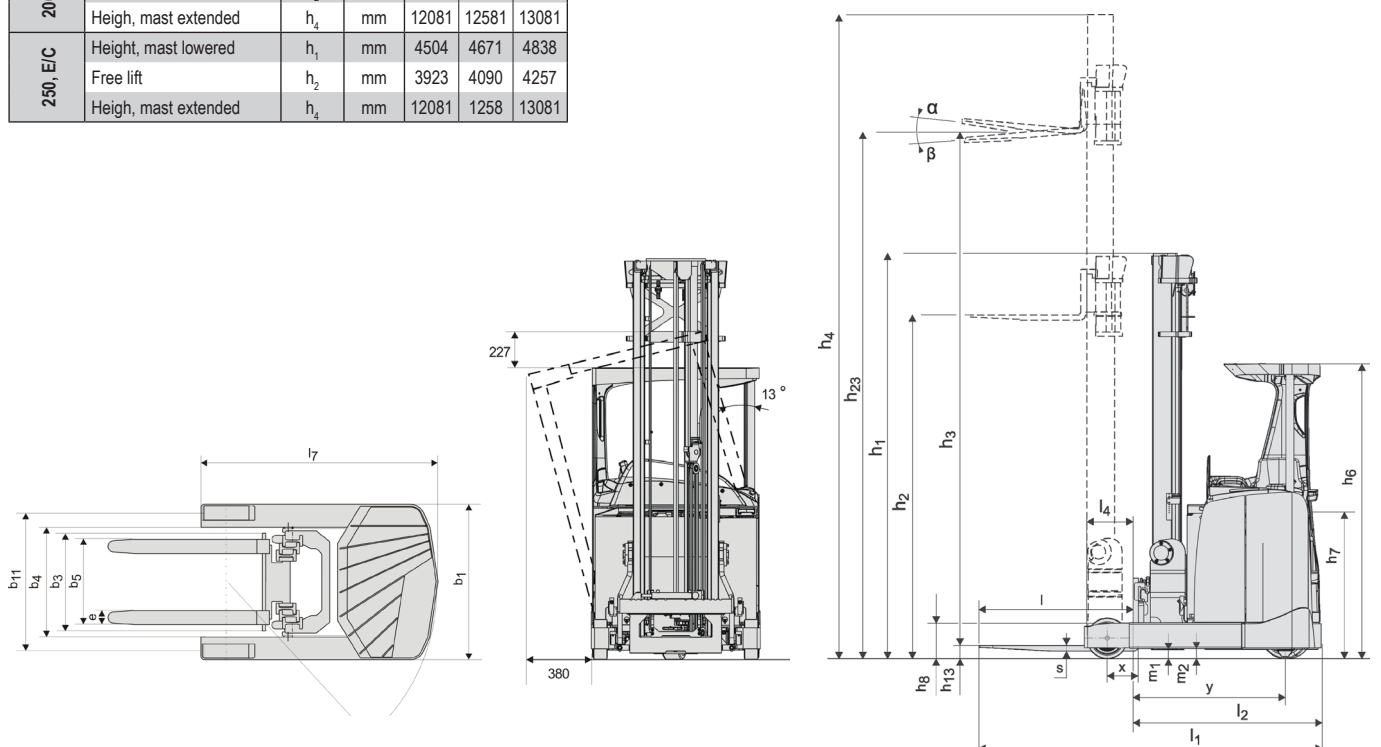
\*\* = Lh 12000 and 12500 mm: 1250-1440 kg

\*\*\* = Inclusive sideshift

## Mast dimensions, mm

RRE			Triplex Hi-Lo																	
Lift height	$h_{23}$	mm	4400	4600	4800	5400	5700	6300	6750	7000	7150	7500	8000	8500	9000	9500	10000	10500	10800	11000
	Lift	$h_3$	mm	4360	4560	4760	5360	5660	6260	6710	6960	7110	7460	7960	8460	8960	9460	9960	10460	10760
140,E/C	Height, mast lowered	$h_1$	mm	2057	—	2190	2390	2490	2690	—	3023	2973	3190	3398	3564	3731	—	—	—	—
	Free lift	$h_2$	mm	1416	—	1549	1749	1849	2049	—	2382	2332	2459	2757	2923	3090	—	—	—	—
	Height, mast extended	$h_4$	mm	5040	—	5440	6040	6340	6940	—	7640	7990	8140	8640	9140	9640	—	—	—	—
160,E/C	Height, mast lowered	$h_1$	mm	2057	—	2190	2390	2490	2732	2981	3064	2981	3231	3398	3564	3731	3898	4290	4457	—
	Free lift	$h_2$	mm	1416	—	1549	1749	1849	2091	2340	2423	2340	2590	2757	2923	3090	3257	3649	3816	—
	Height, mast extended	$h_4$	mm	5040	—	5440	6040	6340	6940	7390	7640	7440	8140	8640	9140	9640	10140	10640	11140	—
180,E/C	Height, mast lowered	$h_1$	mm	—	2165	2232	2432	2532	2732	2981	3064	2981	3231	3398	3564	3731	3898	4457	4790	—
	Free lift	$h_2$	mm	—	1524	1591	1791	1891	2091	2340	2423	2340	2590	2757	2923	3090	3257	3816	4149	—
	Height, mast extended	$h_4$	mm	—	5240	5440	6040	6340	6940	7390	7640	7440	8140	8640	9140	9640	10140	10640	11140	—
200,E/C	Height, mast lowered	$h_1$	mm	—	2165	2232	2432	2532	2732	2981	3064	2981	3231	3398	3564	3731	3898	4004	4171	4271
	Free lift	$h_2$	mm	—	1524	1591	1791	1891	2091	2340	2423	2340	2590	2757	2923	3090	3257	3425	3591	3691
	Height, mast extended	$h_4$	mm	—	5240	5440	6040	6340	6940	7390	7640	7440	8140	8640	9140	9640	10140	10581	11081	11381
250,E/C	Height, mast lowered	$h_1$	mm	—	—	2271	2471	—	2771	—	3004	—	—	3338	3504	3671	3838	4004	4171	4271
	Free lift	$h_2$	mm	—	—	1691	1891	—	2191	—	2425	—	—	2757	2925	3091	3257	3425	3591	3691
	Height, mast extended	$h_4$	mm	—	—	5381	5981	—	6881	—	7581	—	—	8581	9081	9581	10081	10581	11081	11381

RRE			Triplex Hi-Lo			
Lift height	$h_{23}$	mm	11500	12000	12500	
Lift	$h_3$	mm	11460	11960	12460	
200,E/C	Height, mast lowered	$h_1$	mm	4504	4671	4838
	Free lift	$h_2$	mm	3923	4090	4257
	Height, mast extended	$h_4$	mm	12081	12581	13081
250,E/C	Height, mast lowered	$h_1$	mm	4504	4671	4838
	Free lift	$h_2$	mm	3923	4090	4257
	Height, mast extended	$h_4$	mm	12081	1258	13081



## Truck features:

- Total view concept
- Car pedal layout
- Automatic parking brake
- TLC, Transitional Lift Control
- 360° steering
- Simultaneous hydraulic control
- Single function levers or multi function control
- Heavy duty drive unit and gear box



email: [info@forstor.com.ua](mailto:info@forstor.com.ua)

site: [www.forstor.com.ua](http://www.forstor.com.ua)

TP-Technical Publications, Sweden — 747500-040, version 1, 0906



TOYOTA MATERIAL HANDLING IN EUROPE, MANAGING THE TOYOTA AND BT MATERIALS HANDLING BRANDS IN EUROPE.

**TOYOTA**

MATERIAL HANDLING

stronger together