

# Reach truck 1.4 - 2.5 ton

## BT reflex Coldstore



email: [info@forstor.com.ua](mailto:info@forstor.com.ua)  
site: [www.forstor.com.ua](http://www.forstor.com.ua)

**TOYOTA**

MATERIAL HANDLING

stronger together

# Reach truck

Truck specifications					RRE140CC/ECC	RRE160CC/ECC	RRE180CC/ECC	RRE200CC/ECC	RRE250CC/ECC
Identification	1.1	Manufacturer			BT	BT	BT	BT	BT
	1.2	Model			RRE140CC/ECC	RRE160CC/ECC	RRE180CC/ECC	RRE200CC/ECC	RRE250CC/ECC
	1.3	Drive			Electric	Electric	Electric	Electric	Electric
	1.4	Operator type			Seated	Seated	Seated	Seated	Seated
	1.5	Load capacity/rated load	Q	kg	1400	1600	1800	2000	2500
	1.6	Load centre	c	mm	600	600	600	600	600
	1.8	Load distance, centre of support arm wheel to face of forks	x	mm	305*	345*	401*	441*	335*
	1.9	Wheelbase	y	mm	1295	1335	1475	1515	1575
	Weight	2.1	Service weight including battery		kg	4009	4011	4437	4484
2.3		Axle load, mast retracted without load, drive/support arm wheel		kg	2278/1731	2323/1688	2728/1709	2791/1693	2920/1932
2.4		Axle load, mast extended with load, drive/support arm wheel		kg	867/4543	783/4829	988/5248	942/5543	921/6432
2.5		Axle load, mast retracted with load, drive/support arm wheel		kg	1853/3556	1900/3711	2468/3769	2562/3922	2516/4836
Wheels		3.1	Drive/support arm wheel		mm	Vulkollan	Vulkollan	Vulkollan	Vulkollan
	3.2	Wheel size, front		mm	350	350	400	400	400
	3.3	Wheel size, rear		mm	300	300*	350	350	350
	3.5	Wheels, number front/rear (x=driven wheels)		mm	1x/2	1x/2	1x/2	1x/2	1x/2
	3.7	Track width, rear	b <sub>11</sub>	mm	1134	1134	1134	1134	1134
	Dimensions	4.1	Tilt of fork, forward/backward	$\alpha/\beta$	deg	4°/-2°*	4°/-2°*	4°/-2°*	4°/-2°*
4.2		Height, mast lowered	h <sub>1</sub>	mm	2690*	2732*	2732*	2732*	2771*
4.3		Free lift	h <sub>2</sub>	mm	2049*	2091*	2091*	2091*	2191*
4.4		Lift height	h <sub>3</sub>	mm	6260*	6260*	6260*	6260*	6255*
			h <sub>23</sub>	mm	6300*	6300*	6300*	6300*	6300*
4.5		Height, mast extended	h <sub>4</sub>	mm	6940*	6940*	6940*	6940*	6881*
4.7		Height of overhead guard (cab)	h <sub>6</sub>	mm	2200	2200	2262	2262	2262
4.8		Seat height	h <sub>7</sub>	mm	1131	1131	1193	1193	1193
4.10		Height of support arms	h <sub>8</sub>	mm	268	268	330	330	330
4.15		Height of lowered forks	h <sub>13</sub>	mm	40	40	40	40	45
4.19		Overall length	l <sub>1</sub>	mm	2497	2500	2509	2509	2670
4.20		Length to face of forks	l <sub>2</sub>	mm	1387	1390	1399	1399	1565
4.21		Overall width	b <sub>1</sub>	mm	1270	1270	1270	1270	1270
4.22		Fork dimensions	s/e/l	mm	40/100/1150*	40/100/1150*	40/120/1150*	40/120/1150*	45/125/1150*
4.23		Fork carriage ISO 2328, class/type A, B			II A	II A	II A	II A	II A
4.25		Width over forks	b <sub>3</sub>	mm	250-738	250-738	250-738	250-738	250-738
4.26		Distance between support arms	b <sub>4</sub>	mm	900*	900*	900*	900*	900*
4.28		Reach distance	l <sub>4</sub>	mm	434*	474*	614*	670*	571*
4.31		Ground clearance, with load, below mast	m <sub>1</sub>	mm	68	68	68	68	88
4.32		Ground clearance, centre of wheelbase <sup>1)</sup>	m <sub>2</sub>	mm	74	74	77	77	77
4.33	Aisle width for pallets 1000 x 1200 crossways	A <sub>st</sub>	mm	2794	2803	2848	2860	2996	
4.34	Aisle width for pallets 800 x 1200 lengthways	A <sub>st</sub>	mm	2866	2870	2894	2898	3053	
4.35	Turning radius	W <sub>a</sub>	mm	1620	1660	1800	1840	1900	
4.37	Length across support arms	l <sub>7</sub>	mm	1791	1831	1996	2036	2096	
Performance data	5.1	Travel speed, with/without load		km/h	11/11	10/11	11/11	11/11	11/11
		Travel speed, High speed version, with/without load		km/h	14/14	14/14	14/14	14/14	14/14
	5.2	Lift speed, with/without load		m/s	0,35/0,70	0,35/0,70	0,35/0,70	0,35/0,70	0,35/0,70
	5.3	Lowering speed, with/without load		m/s	0,55/0,55	0,55/0,55	0,55/0,55	0,55/0,55	0,55/0,55
	5.4	Reach speed, with/without load		m/s	0,25/0,25	0,25/0,25	0,25/0,25	0,25/0,25	0,25/0,25
	5.8	Max. gradeability, with/without load <sup>2)</sup>		%	10/15	10/15	10/15	10/15	7/12
5.10	Service brake			Electric	Electric	Electric	Electric	Electric	
Electric motor	6.1	Drive motor rating S2 60 min		kW	7,5	7,5	9,0	9,0	9,0
	6.2	Lift motor rating S3 15%		kW	11	11	15	15	15
	6.4	Battery voltage, nominal capacity K <sub>5</sub>		V/Ah	48/620*	48/620*	48/620*	48/620*	48/775*
	6.5	Battery weight		kg	940*	940*	940*	940*	1150*
	6.6	Energy consumption acc to VDI cycle <sup>3)</sup>		kWh/h					
	Other	8.1	Type of drive control			Variable AC	Variable AC	Variable AC	Variable AC
8.4		Sound level at the driver's ear according to EN 12 053		dB(A)	66	66	66	66	66

1) 15 mm under studs

2) Measured according to company standard

3) Contact your supplier for information

\*) Other alternatives are available

All data are based on table configuration. Other configurations may give other values. Truck performance and dimensions are nominal and subject to tolerances. BT products and specifications are subject to change without notice.

# Battery compartment

# BT reflex

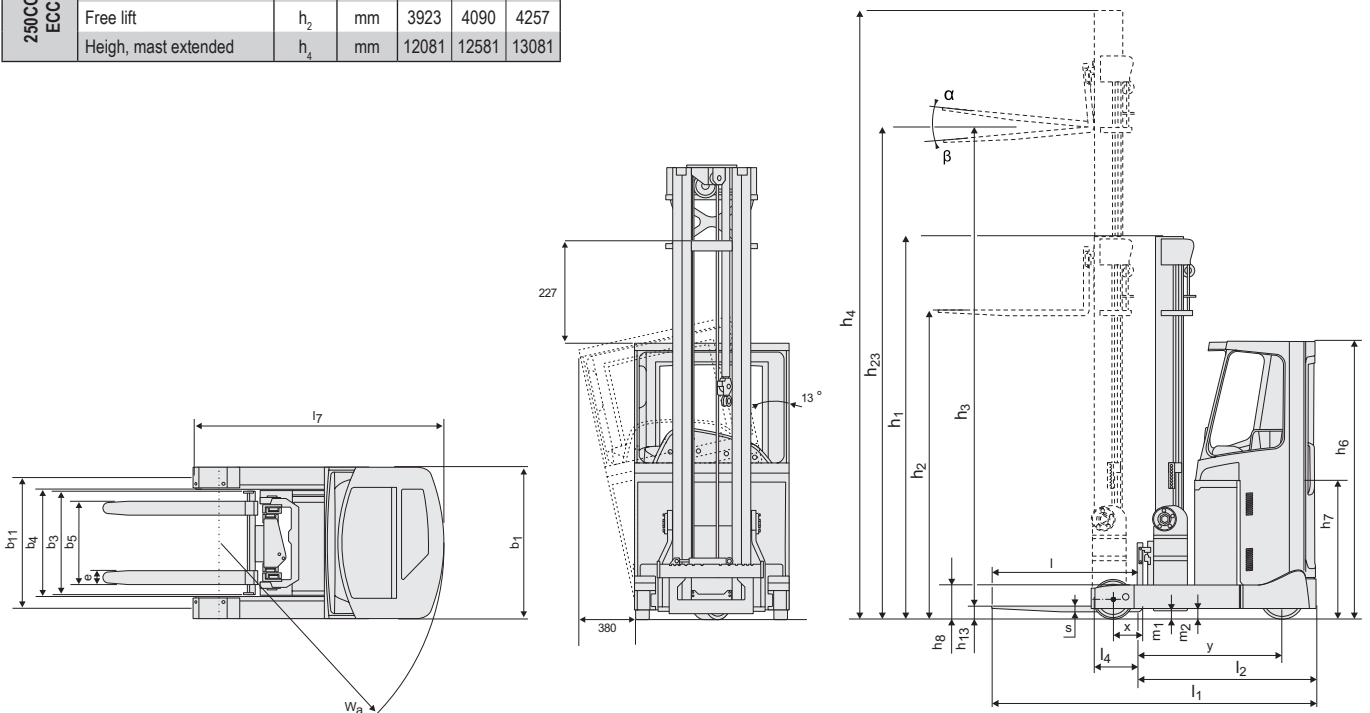
Dimensions				RRE140CC /ECC	RRE160CC /ECC	RRE180CC /ECC	RRE200CC /ECC			RRE250CC /ECC				
Reflex	Depth		mm	347	347	419	347	419	347	419	491	419	491	
	4.20	Length to face of forks ***	$l_2$	mm	1387	1387	1459	1399	1471	1399	1471	1543	1565	1637
	4.33	Aisle width for pallets 1000x1200 crossways ***	$A_{st}$	mm	2794	2803	2859	2848	2900	2860	2911	2964	2996	3050
	4.34	Aisle width for pallets 800x1200 lengthways ***	$A_{st}$	mm	2866	2870	2936	2894	2958	2898	2962	3028	3053	3119
	6.4	Battery voltage, nominal capacity $K_3$		V/Ah	48/620	48/620	48/775	48/620	48/775	48/620	48/775	48/930	48/775	48/930
	6.5	Battery weight, min.—max.		kg	875-1030	875-1235*	875-1235*	875-1030	1055-1235	1055-1235	1055-1235	1055-1440**	1055-1440	1055-1440**
1.8	Load distance, centre of support arm wheel to face of forks	x	mm	233	273	201	401	329	441	369	297	335	263	

\* = Lh 10000 and 10500 mm: 1060-1235 kg  
 \*\* = Lh 12000 and 12500 mm: 1250-1440 kg  
 \*\*\* = Inclusive sideshift

## Mast dimensions, mm

RRE				Triplex Hi-Lo																	
	Lift height	$h_{23}$	mm	4400	4600	4800	5400	5700	6300	6750	7000	7150	7500	8000	8500	9000	9500	10000	10500	10800	11000
	Lift	$h_3$	mm	4360	4560	4760	5360	5660	6260	6710	6960	7110	7460	7960	8460	8960	9460	9960	10460	10760	10960
E140CC/ ECC	Height, mast lowered	$h_1$	mm	2057	—	2190	2390	2490	2690	—	3023	2973	3190	3398	3564	3731	—	—	—	—	—
	Free lift	$h_2$	mm	1416	—	1549	1749	1849	2049	—	2382	2332	2459	2757	2923	3090	—	—	—	—	—
	Height, mast extended	$h_4$	mm	5040	—	5440	6040	6340	6940	—	7640	7990	8140	8640	9140	9640	—	—	—	—	—
160CC/ ECC	Height, mast lowered	$h_1$	mm	2057	—	2190	2390	2490	2732	2981	3064	2981	3231	3398	3564	3731	3898	4290	4457	—	—
	Free lift	$h_2$	mm	1416	—	1549	1749	1849	2091	2340	2423	2340	2590	2757	2923	3090	3257	3649	3816	—	—
	Height, mast extended	$h_4$	mm	5040	—	5440	6040	6340	6940	7390	7640	7440	8140	8640	9140	9640	10140	10640	11140	—	—
180CC/ ECC	Height, mast lowered	$h_1$	mm	—	2165	2232	2432	2532	2732	2981	3064	2981	3231	3398	3564	3731	3898	4457	4790	—	4790
	Free lift	$h_2$	mm	—	1524	1591	1791	1891	2091	2340	2423	2340	2590	2757	2923	3090	3257	3816	4149	—	4149
	Height, mast extended	$h_4$	mm	—	5240	5440	6040	6340	6940	7390	7640	7440	8140	8640	9140	9640	10140	10640	11140	—	11640
200CC/ ECC	Height, mast lowered	$h_1$	mm	—	2165	2232	2432	2532	2732	2981	3064	2981	3231	3398	3564	3731	3898	4004	4171	4271	—
	Free lift	$h_2$	mm	—	1524	1591	1791	1891	2091	2340	2423	2340	2590	2757	2923	3090	3257	3425	3591	3691	—
	Height, mast extended	$h_4$	mm	—	5240	5440	6040	6340	6940	7390	7640	7440	8140	8640	9140	9640	10140	10581	11081	11381	—
250CC/ ECC	Height, mast lowered	$h_1$	mm	—	—	2271	2471	—	2771	—	3004	—	—	3338	3504	3671	3838	4004	4171	4271	—
	Free lift	$h_2$	mm	—	—	1691	1891	—	2191	—	2425	—	—	2757	2925	3091	3257	3425	3591	3691	—
	Height, mast extended	$h_4$	mm	—	—	5381	5981	—	6881	—	7581	—	—	8581	9081	9581	10081	10581	11081	11381	—

RRE				Triplex Hi-Lo		
	Lift height	$h_{23}$	mm	11500	12000	12500
	Lift	$h_3$	mm	11460	11960	12460
200CC/ ECC	Height, mast lowered	$h_1$	mm	4504	4671	4838
	Free lift	$h_2$	mm	3923	4090	4257
	Height, mast extended	$h_4$	mm	12081	12581	13081
250CC/ ECC	Height, mast lowered	$h_1$	mm	4504	4671	4838
	Free lift	$h_2$	mm	3923	4090	4257
	Height, mast extended	$h_4$	mm	12081	12581	13081



## Truck features:

- Total view concept
- Car pedal layout
- Automatic parking brake
- TLC, Transitional Lift Control
- 360° steering
- Simultaneous hydraulic control
- Single function levers or multi function control
- Heavy duty drive unit and gear box



email: [info@forstor.com.ua](mailto:info@forstor.com.ua)

site: [www.forstor.com.ua](http://www.forstor.com.ua)

TP-Technical Publications, Sweden — 747502-040, version 1, 0906



TOYOTA MATERIAL HANDLING IN EUROPE, MANAGING THE TOYOTA AND BT MATERIALS HANDLING BRANDS IN EUROPE.

**TOYOTA**

MATERIAL HANDLING

stronger together