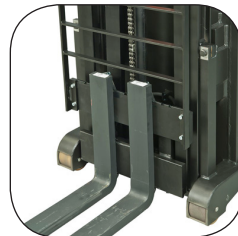


# Order picking truck 1.2 ton

## BT optio *L-series* OSE120CB



# Order picking truck

Truck specifications						OSE120CB	
Identification	1.1	Manufacturer					BT
	1.2	Model					OSE120CB
	1.3	Drive					Electric
	1.4	Operator type					Stand on
	1.5	Load capacity/rated load		Q	kg		1200
	1.6	Load centre		c	mm		500
	1.8	Load distance, back of fork to wheel centre		x	mm		73
	1.9	Wheelbase		y	mm		1448
Weight	2.1	Service weight without battery			kg		1599 <sup>1)</sup>
	2.2	Axle load, with load, drive/support arm wheels			kg		615/2725
	2.3	Axle load, without load, drive/support arm wheels			kg		1100/1038
Wheels	3.1	Drive/support arm wheels					Vulkollan
	3.2	Wheel size, front			mm		Ø250x100
	3.3	Wheel size, rear			mm		Ø175x75
Dimensions	4.2	Height, mast lowered		$h_1$	mm		1841
	4.4	Lift movement		$h_3$	mm		2650
		Lift height		$h_{23}$	mm		2700
	4.5	Height, mast extended		$h_4$	mm		3280
	4.7	Height of overhead guard		$h_6$	mm		2196
	4.8	Stand height		$h_7$	mm		130
	4.15	Height, fork lowered		$h_{13}$	mm		50
	4.19	Overall length		$l_1$	mm		2853
	4.20	Length to face of forks		$l_2$	mm		1703
	4.21	Overall width		$b_1/b_2$	mm		790/861
	4.22	Fork dimensions		$s/e/l$	mm		40/100/1150
	4.25	Width over forks		$b_5$	mm		250-570
	4.31	Ground clearance, below mast		$m_1$	mm		49
	4.32	Ground clearance, centre of wheelbase		$m_2$	mm		72
	4.34	Aisle width for pallets 800 x 1200 lengthways		$A_{st}$	mm		3170
4.35	Turning radius		$W_a$	mm		1636	
4.44	Clear width driver compartment entrance		$l_{24}$	mm		450	
Performance data	5.1	Travel speed, with/without load			km/h		7,0/12,0
	5.2	Lift speed, with/without load			m/s		0,12/0,27
	5.3	Lowering speed, with/without load			m/s		0,33/0,36
	5.8	Max. gradeability, with/without load <sup>2)</sup>			%		9/13
	5.10	Service brake					Electromagnetic
Electric motor	6.1	Drive motor rating S2 60 min			kW		2,8
	6.2	Lift motor rating S3 6%			kW		2,2
	6.4	Battery voltage, nominal capacity $K_5$			V/Ah		24/465-620
	6.5	Battery weight, min./max.			kg		338/501
	6.6	Energy consumption acc to VDI cycle <sup>3)</sup>			kWh/h		
	Other	8.1	Type of drive control				
8.4		Sound level at the driver's ear according to EN 12 053			dB(A)		62

1) With small battery, add 125 kg counterweight.

2) Measured according to company standard.

3) Contact your supplier for information.

All data are based on table configuration. Other configurations may give other values.

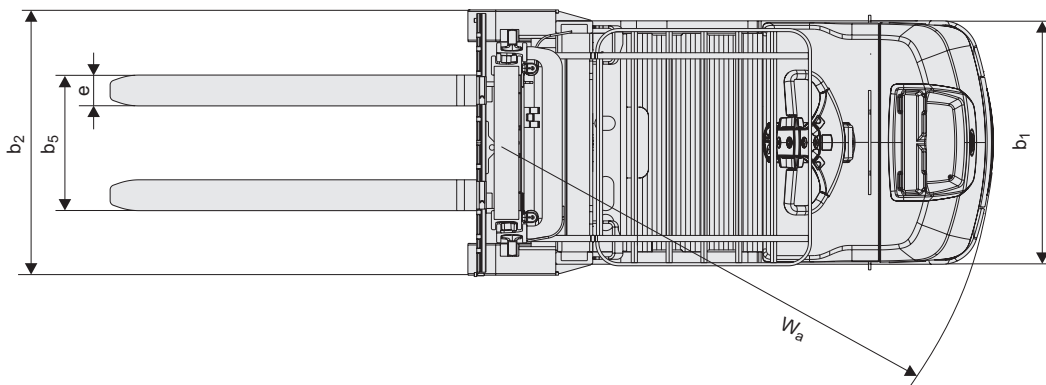
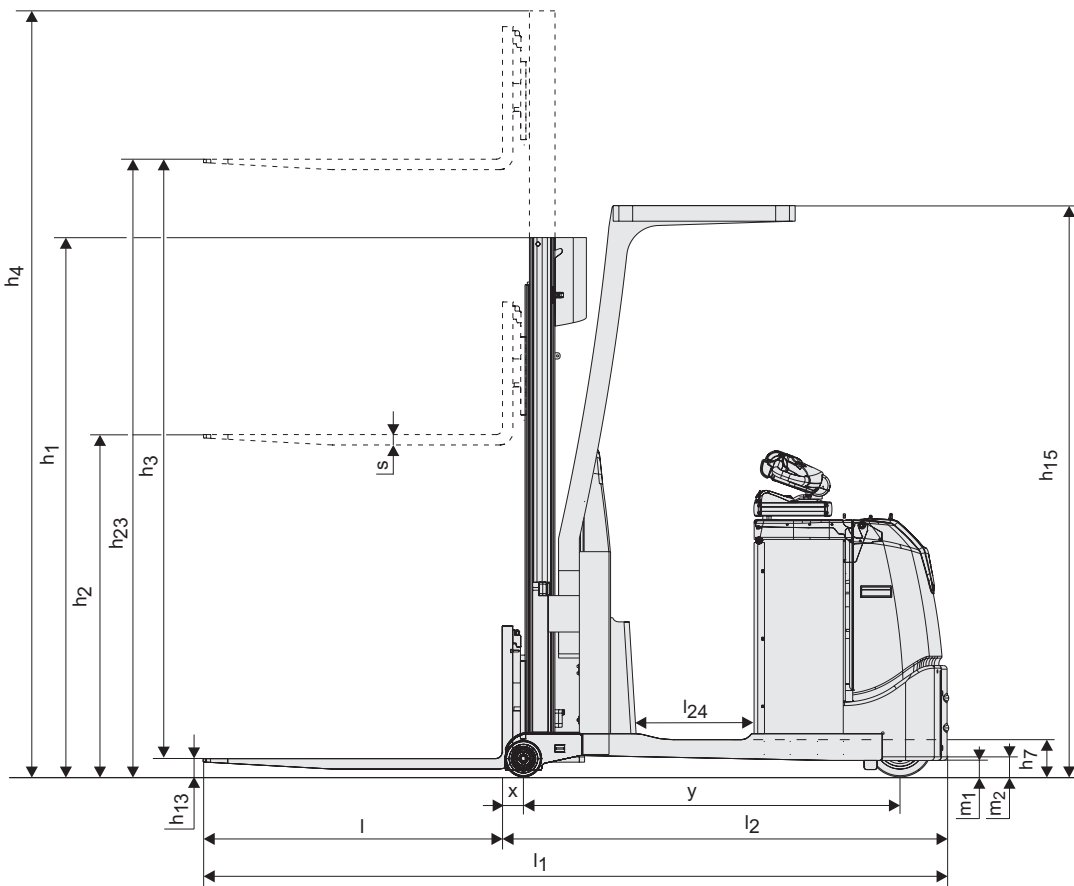
Truck performance and dimensions are nominal and subject to tolerances.

BT products and specifications are subject to change without notice.

# Mast dimensions

# BT optio

OSE120CB			Simplex			Duplex Tele					Duplex HiLo				
$h_{23}$	Lift height ( $h_{13}+h_3$ )	mm	1400	1700	1800	2700	2900	3300	3700	4150	2700	2900	3300	3700	4150
$h_3$	Lift	mm	1350	1650	1750	2650	2850	3250	3650	4100	2650	2850	3250	3650	4100
$h_1$	Height, mast lowered	mm	1820	2120	2220	1841	1941	2141	2341	2475	1836	1936	2136	2336	2561
$h_2$	Free lift	mm	1400	1700	1800	110	110	110	110	110	1396	1496	1696	1896	2121
$h_4$	Height, mast extended	mm	1980	2280	2380	3280	3480	3880	4280	4720	3280	3480	3880	4280	4720



## Truck features:

- High performance models
- BT E-man steering concept
- Low step-in
- Stacking possibilities
- 2-step lowering system
- BT Powerdrive system
- Integrated shrink film holder
- Streamlined administration  
— E-bar concept (option)
- Frequency adapted suspension (option)

