

1000SE  
1000HSE



The OP-series offers a complete range of high level pickers with both auxiliary lift and walk through versions. A spacious and ergonomic cab design, with adjustable positions of controls and back rest.



email: [info@forstor.com.ua](mailto:info@forstor.com.ua)

site: [www.forstor.com.ua](http://www.forstor.com.ua)



Technical Details		OP 1000SE	OP 1000HSE
Power unit		electrical, battery	
Operating type		stand on	
Rated capacity	kg	1000	1000
Load centre	mm	600	600
Weight without battery	kg	2529 <sup>1)</sup>	2898 <sup>2)</sup>
Wheel type		polyurethane	
Wheel dimension, fork side	mm	Ø 230x110	Ø 230x110
Wheel dimension, drive wheel side	mm	Ø 310x110	Ø 310x110
Number of wheels, fork side		2	2
Number of wheels, drive wheel side		1	1
Travel speed, without/with rated load	km/h	9/8	9/8
Lift speed, without/with rated load	m/s	0.33/0.24	0.33/0.24
Lift speed, with 500 kg	m/s	0.28	0.28
Lowering speed, without/with rated load	m/s	0.38/0.38	0.38/0.38
Lowering speed, with 500 kg	m/s	0.38	0.38
Service brake, hand operated		3 stage electromagnetic spring pressure	
Parking brake, (dead man's grip)		3 stage electromagnetic spring pressure	
Drive motor/Intermittent rating	kW/%	5.0/60	5.0/60
Lift motor/Intermittent rating	kW/%	7.6/20	7.6/20
Battery (5h discharge)	V/Ah	48/375—465	48/375—465
Battery weight, min./max.	kg	530—740	530—740
Steering system		electronic power steering	
Speed control, number of steps		transistor, stepless	

Dimensions, mm		OP 1000SE	OP 1000HSE
x	Front axle to fork back	270 <sup>5)</sup>	270 <sup>5)</sup>
y	Wheel base	1444	1444
b <sub>10</sub>	Track width fork side c/c	879	1109
z <sub>11</sub>	Width between rails, min	b <sub>1</sub> + 200/230 <sup>3)</sup>	b <sub>1</sub> + 200/230 <sup>3)</sup>
h <sub>6</sub>	Height of cab	2435	2435
h <sub>21</sub>	Height of cab inside	2050	2050
h <sub>22</sub>	Height of cab sides	900	900
h <sub>7</sub>	Instep height	315	315
h <sub>13</sub>	Height of lowered fork	80	80
l <sub>2</sub>	Truck length incl. back of fork	1931 <sup>5)</sup>	1931 <sup>5)</sup>
l <sub>20</sub>	Cab length, floor	655	655
l <sub>24</sub>	Entrance width	425	425
b <sub>1</sub>	Chassis, width	1020	1250
b <sub>2</sub>	Cab width	1000—1800 <sup>4)</sup> +1460	1000-1800 <sup>4)</sup> +1460
s	Fork thickness	62	62
e	Fork width	115	115
l	Fork length	800—1600 <sup>4)</sup> + 1150	800—1600 <sup>4)</sup> + 1150
b <sub>5</sub>	Width across fork	560/685/776	560/685/776
m <sub>2</sub>	Floor clearance mid wheelbase	60 <sup>6)</sup>	60 <sup>6)</sup>
W <sub>a</sub>	Turning radius	1664	1664

- 1) h<sub>12</sub>=4500 mm, b<sub>1</sub>=1020 mm, auxiliary lift
- 2) h<sub>12</sub>=7000 mm, b<sub>1</sub>=1250 mm, auxiliary lift
- 3) Depending on type of rails  
(low profile rails: +200mm, high profile: +230mm)
- 4) In 100 mm steps
- 5) With adjustable forks add 38 mm to l<sub>2</sub> and x
- 6) 25 mm if wire guided

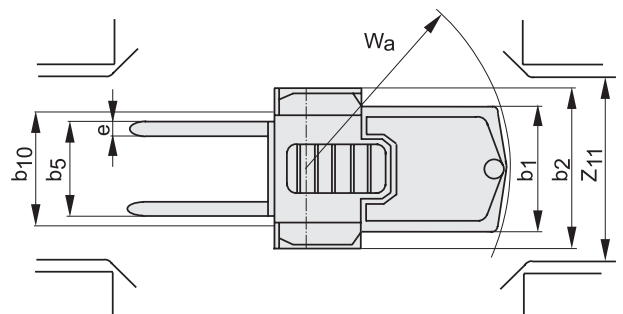
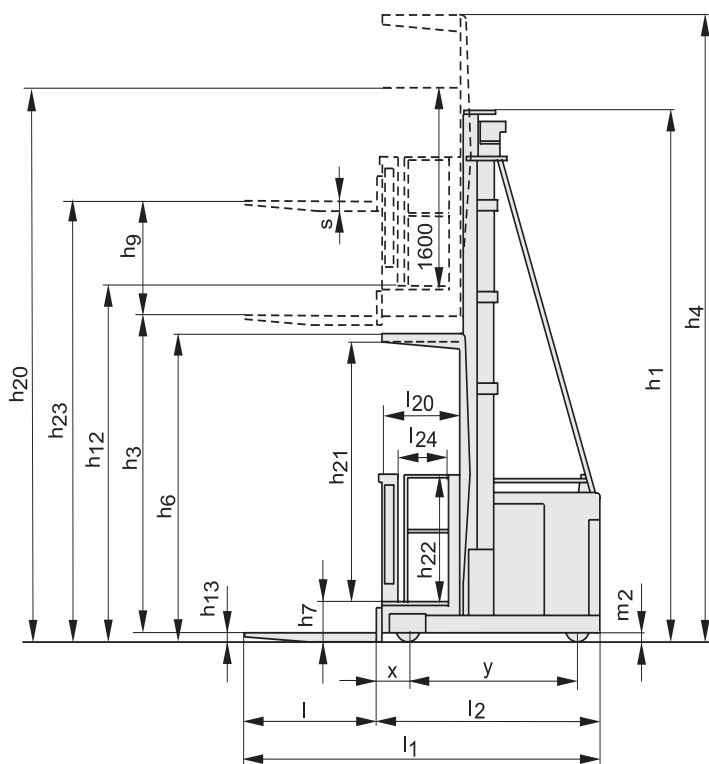
Truck performance and dimensions are nominal and subject to tolerances.  
BT Products AB products and specifications are subject to change without notice.  
All data is based on VDI 2198.

Mast, mm		OP 1000SE										
h <sub>12</sub>	Platform height	3550	3950	4500	5000	5500	6000	6500	7000	7500	8000	8500
<b>Duplex</b>												
h <sub>1</sub>	Height of truck, min.	2450	2650	2925	3175							
h <sub>3</sub>	Lift movement	3235	3635	4185	4685							
h <sub>4</sub>	Height of truck, max.	5705	6105	6655	7155							
h <sub>9</sub>	Auxiliary lift movement	780	780	780	780							
h <sub>20</sub>	Picking height	5150	5550	6100	6600							
h <sub>23</sub>	Total lift height <sup>1)</sup>	4095	4495	5045	5545							

Mast, mm		OP 1000HSE										
h <sub>12</sub>	Platform height	3550	3950	4500	5000	5500	6000	6500	7000	7500	8000	8500
<b>Duplex</b>												
h <sub>1</sub>	Height of truck, min.					3425	3675	3925	4175	4425	4675	4925
h <sub>3</sub>	Lift movement					5185	5685	6185	6685	7185	7685	8185
h <sub>4</sub>	Height of truck, max.					7655	8155	8655	9155	9655	10155	10655
h <sub>9</sub>	Auxiliary lift movement					780	780	780	780	780	780	780
h <sub>20</sub>	Picking height					7100	7600	8100	8600	9100	9600	10100
h <sub>23</sub>	Total lift height <sup>1)</sup>					6045	6545	7045	7545	8045	8545	9045

Mast, mm		OP 1000HSE										
h <sub>12</sub>	Platform height	4700	5500	6100	7300	8200	9500					
<b>Triplex</b>												
h <sub>1</sub>	Height of truck, min.	2435	2680	2880	3390	3890	4325					
h <sub>3</sub>	Lift movement	4385	5185	5785	6985	7885	9185					
h <sub>4</sub>	Height of truck, max.	6855	7655	8255	9455	10355	11655					
h <sub>9</sub>	Auxiliary lift movement	780	780	780	780	780	780					
h <sub>20</sub>	Picking height	6300	7100	7700	8900	9800	11100					
h <sub>23</sub>	Total lift height <sup>1)</sup>	5245	6045	6645	7845	8745	10045					

1)  $h_{23} = h_3 + h_9 + h_{13}$





- Stable gates with folding threshold together with a flat floor allows comfortable and safe picking throughout the shift.
- The spacious cab has a short distance between the cab and the load carrier, minimizing the risk of repetitive strain and maximizing productivity.
- The compact size of the truck in combination with the advanced BT electronic steering and fingertip touch controls, facilitates fine positioning and confident driving in or outside of the aisle.
- The visibility through the cab window is exceptionally good, providing an over 70° view angle increasing efficiency, security and reducing body twisting.
- A complete auto test routine is carried out every time the machine is turned on. Continuous repetition during operation ensures safety.



Truck features	OP 1000SE	OP 1000HSE
Choice of cab widths	S	S
Choice of chassis widths	S	S
Wire/rail guidance	O	O
Controls and instruments		
Adjustable BT Control console	S	S
Hour meter	S	S
Power/Electronic steering	S	S
Driving features		
Automatic deceleration	S	S
Electronic braking system	S	S
Safety features		
Automatic parking brake	S	S
BT Optipace system	S	S
Clear-view mast	S	S
Driver detection system	S	S
Emergency cut-off	S	S
Folding sideguards	S	S
Drivers compartment features		
Adjustable backrest	S	S
Low step-in	S	S
Writing table	S	S
Maintenance features		
Easy access for maintenance	S	S
Fault diagnosis facility	S	S
Battery management features		
Battery change facility	S	S
Battery status indicator	S	S
Sideways battery change	S	S
Special applications		
Coldstore version	O	O

S = Standard feature

O = Optional feature

— = Not available

ITS, Sweden — 748100-040, 0701



email: [info@forstor.com.ua](mailto:info@forstor.com.ua)  
 site: [www.forstor.com.ua](http://www.forstor.com.ua)

