



Specially designed for corrosive environments or applications that demand high standards of hygiene — such as food processing or pharmaceutical industries.



email: info@forstor.com.ua
site: www.forstor.com.ua

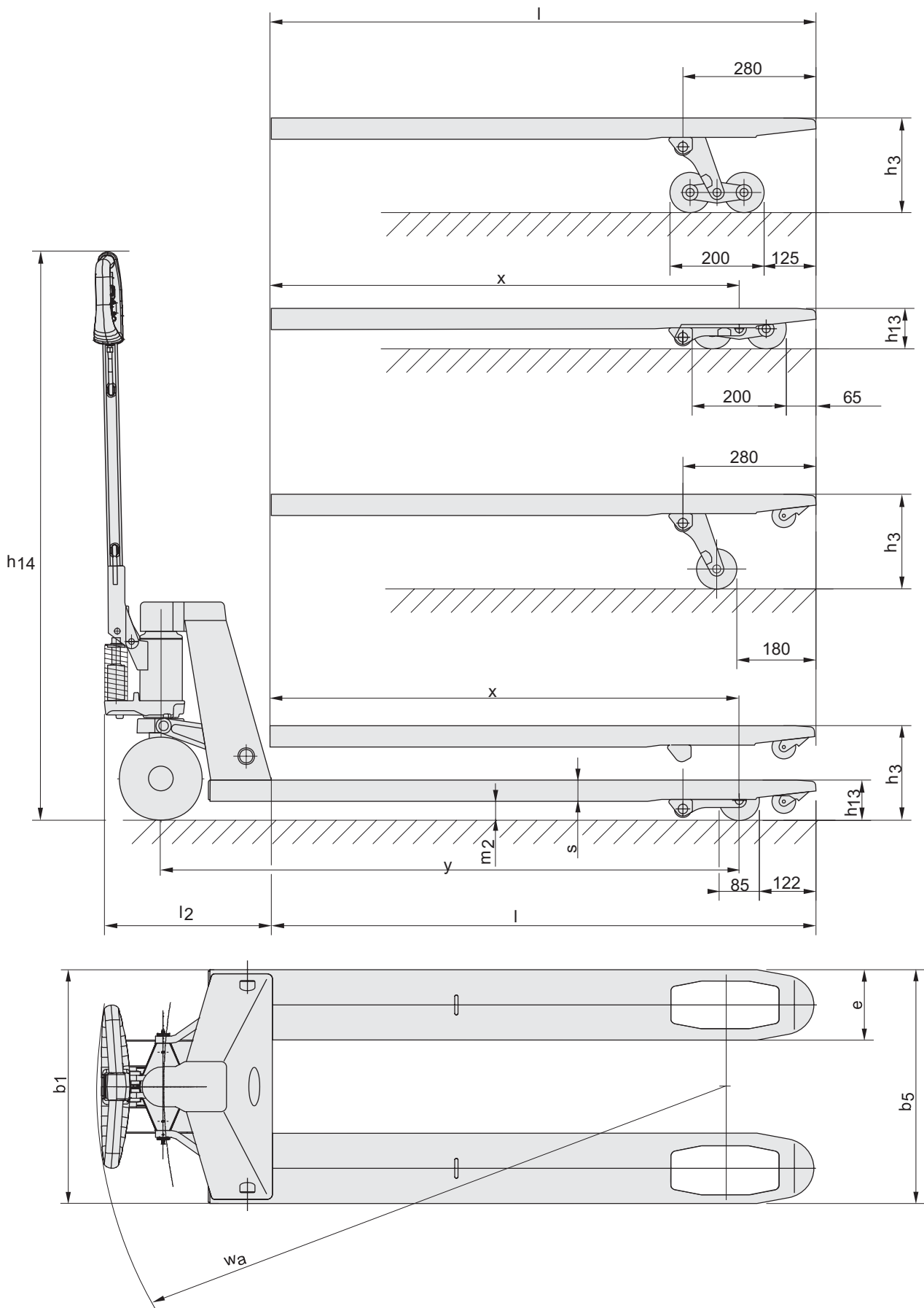


| Technical Details | | LHM200ST |
|---------------------------|----|------------------|
| Rated capacity | kg | 2000 |
| Weight | kg | 70 |
| Steering wheels | mm | Ø 175x60 |
| Fork wheels, single/bogie | mm | Ø 85x100/Ø 85x75 |

| Dimensions, mm | | LHM200ST |
|-----------------|--|------------------------|
| x | Front axle to fork face | 985 |
| y | Wheel base | 1217 |
| h ₃ | Lift height | 200 |
| h ₁₄ | Height of handle in neutral pos. | 1220 |
| h ₁₃ | Height of lowered fork | 85 |
| l ₂ | Truck length incl. back of fork | 356 |
| b ₁ | Chassis, width | 520/695 |
| s | Fork thickness | 45 |
| e | Fork width | 156 |
| l | Fork length | 800/910/1000/1150/1220 |
| b ₅ | Width across fork | 520/685 |
| m ₂ | Floor clearance mid wheelbase | 40 |
| A _{st} | Aisle width, min Pallet 800x1200 mm | 1756 |
| W _a | Turning radius | 1392 |

Datas are based on l = 1150mm, nylon wheels

Stainless Lifter



Truck performance and dimensions are nominal and subject to tolerances.
BT Products AB products and specifications are subject to change without notice.
All data is based on VDI 2198



- All components in stainless steel or other non-corroding materials gives the truck reliability and long life.
- All surfaces are glass blasted to give a smooth surface and ensure easy cleaning.
- Welded tow bar attachment provides high reliability.
- 10/12 greasable bushings ensure a long service life.
- Also available in U-model with minimum height 75 mm.
- This product has been environmentally declared. Separate information sheet is available.



| Truck features | LHM200ST |
|------------------------------|----------|
| Choice of chassis widths | S |
| Choice of other fork lengths | S |
| Choice of wheel types | O |
| Climber wheels | S |
| Quick-lift version | — |
| Bogie fork wheels | O |
| Controls and instruments | |
| Tiller arm steering | S |
| Driving features | |
| 180° steering | S |
| Safety features | |
| Handbrake | — |
| Parking brake | — |
| Maintenance features | |
| Lubrication points | S |
| Special applications | |
| Coldstore version | S |

S = Standard feature

O = Optional feature

— = Not available

ITS, Sweden — 745100-040, 0605



email: info@forstor.com.ua
 site: www.forstor.com.ua

